



# INSTALLATION INSTRUCTIONS

Accessory  
**TRUNK TRAYS**  
P/N 08U45-TZ3-200

Application  
**2015 TLX**

Publications No.  
**VERSION 1**  
Issue Date  
**JULY 2014**

## PARTS LIST

Center tray



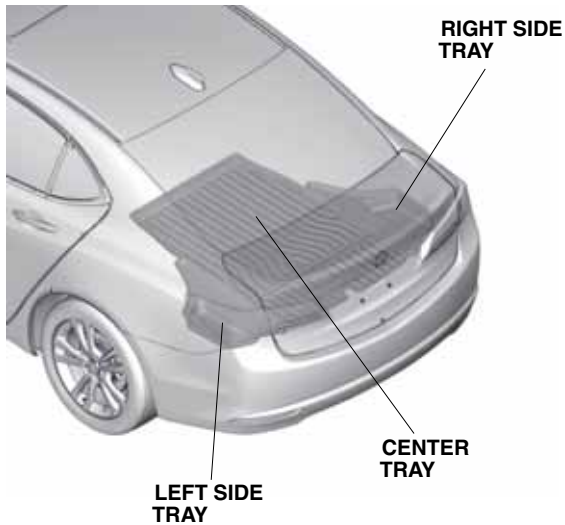
Left side tray



Right side tray



## Illustration of the Trunk Trays in the Vehicle

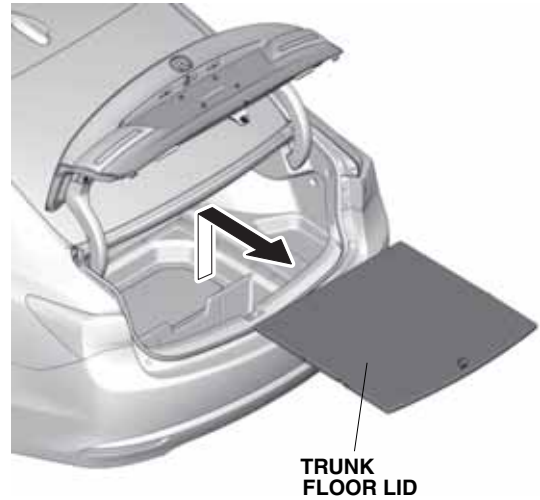


QC01806AY

## INSTALLATION

NOTE: Be careful not to damage the body.

1. Open the vehicle trunk.



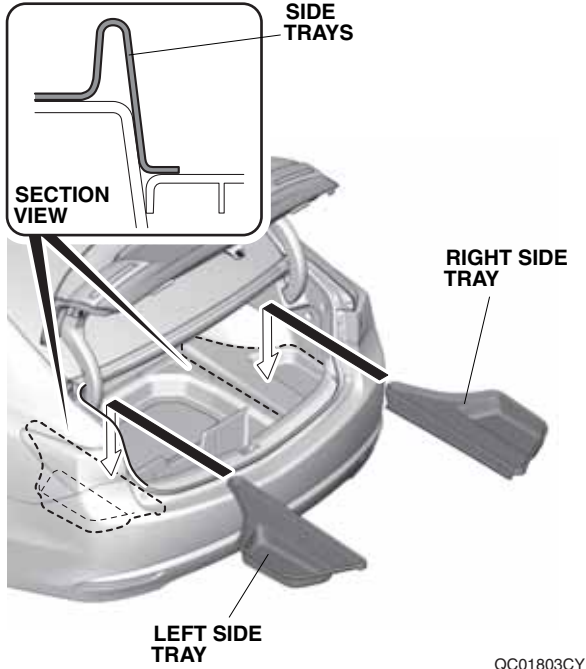
QC01801AY

2. Remove the trunk floor lid.

If the vehicle is Advance Package, continue with step 3; if not, go to step 4.

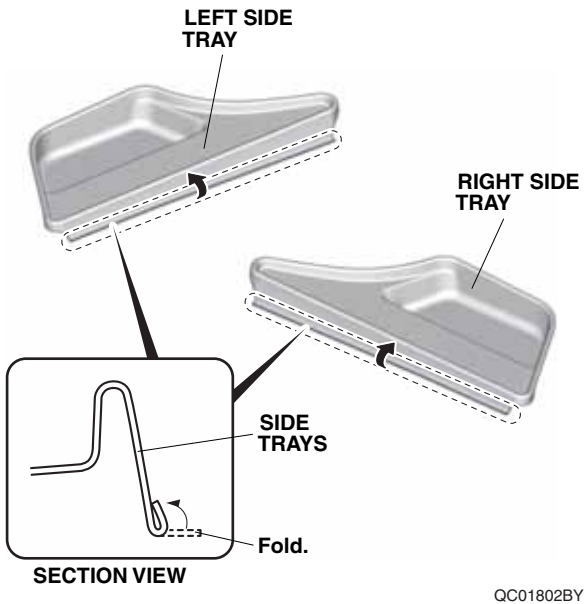
*Advance Package*

- Place the left and right side trays in the both sides of the trunk. Go to step 6.

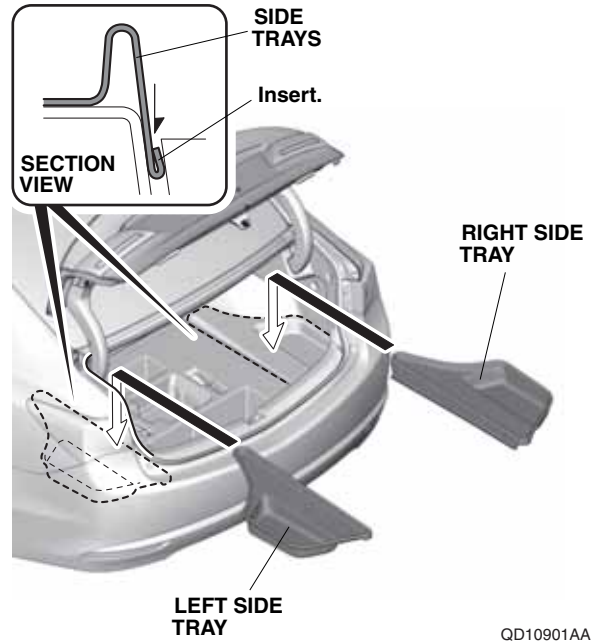


*Except Advance Package*

- Fold the lower flaps of the side trays over on themselves.



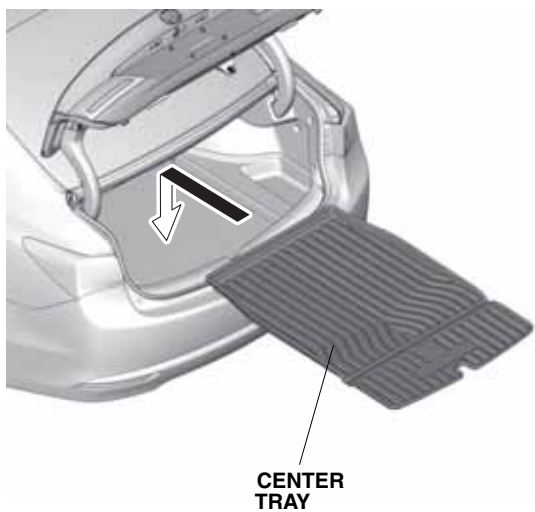
- Place the left and right side trays in the both sides of the trunk. Insert the folded ends of the side trays into the gap as shown.



- Reinstall the trunk floor lid.



7. Install the center tray in the trunk.



QC01805AY